

Georgia-Pacific

XJ-85 Joist



XJ-85

The XJ 85® is the first engineered I-joist with pre-cut openings that enable you to run ductwork in conditioned spaces, instead of throughout the attic.

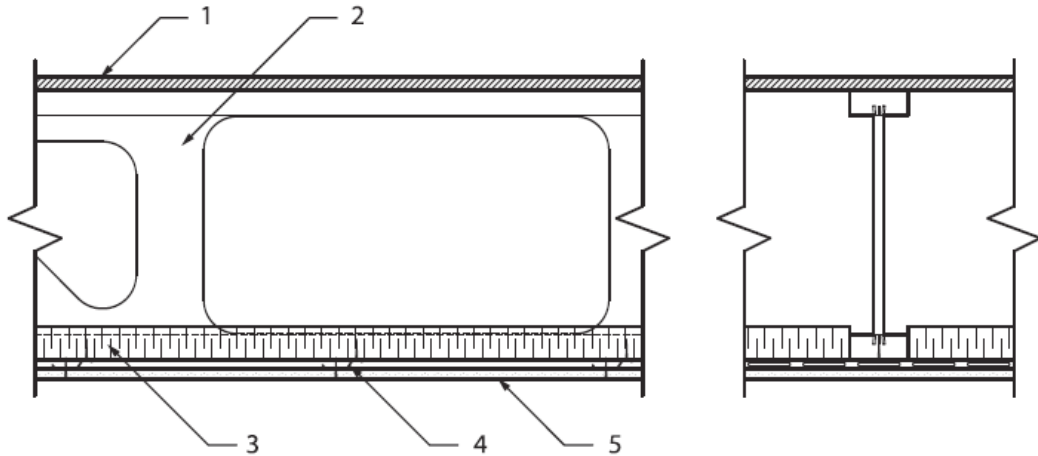
1 Hour Fire Rating

**Rated at 1 hour only when
installed with:**

- 1. 23/32 OSB sub-floor**
- 2. 2 inches of mineral wool insulation between joist and over channels**
- 3. 5/8" drywall on the bottom side**

XJ 85® ONE-HOUR FIRE ASSEMBLY*

This fire-rated assembly requires reduced on-center joist spacing for some spans.
Contact BlueLinx Technical Services for design assistance or for alternative assemblies.



- 1. Sub-Flooring** – APA Rated® Sturd-I-Floor® plywood or OSB, tongue and groove, nailed with 6d common or spiral nails, 6" o.c. at edges and 12" o.c. in field, and glued to structural members with construction adhesive. Minimum 19/32" thick when joists are 19.2" o.c. or less. Minimum 23/32" thick when joists are greater than 19.2" o.c. up to and including 24" o.c.
- 2. Structural Members** – 16" XJ 85® series joists, maximum spacing 24" o.c. Web openings prefabricated by GP. No other web openings or modifications to pre-cut holes allowed. On-center joist spacing must be reduced for some spans. Contact BlueLinx Technical Services for assistance.
- 3. Insulation** – 2" thick, 4 pcf unbacked mineral wool, placed between joists, over resilient channels.
- 4. Resilient Channels** – Minimum 25 gauge steel, maximum spacing 16" o.c., fastened to the bottom flange of each joist with one 1-1/4" Type W screw.
- 5. Gypsum Board** – 5/8" type C gypsum board applied with long dimension perpendicular to resilient channels and fastened to resilient channels using 1-1/4" Type S screws at 6" o.c. with a 3/4" edge distance.

Testing per ASTM E 119. Intertek Design No. GPW/FCA 60-01.

* Although most residential structures (detached one- and two-family dwellings) do not require fire-resistance-rated assemblies, the inclusion of a protective membrane such as gypsum board can improve fire performance. Passing a fire test in a controlled laboratory setting and referring to an assembly as having a one-hour, two-hour, or any other fire resistance or protection rating does not mean that either the particular assembly/system will necessarily provide one-hour fire resistance, two-hour fire resistance, or any other specified fire resistance or protection in an actual fire. In the event of an actual fire, you should immediately take any and all actions necessary for your safety and the safety of others without regard for any fire rating of any assembly/system. For additional information, please visit www.gp.com/safetyinfo.

XJ-85

- **Can have clear spans up to 21 feet.**